

Compact and fast forklift trucks with retractable mast, ideal for drive in warehouses



Neos II 13-16 K ac is the compact version of the OMG retractable truck and its width is 12 cm smaller than the standard version, thus allowing it to deliver maximum performance even in small spaces. Each component is duly tested and subjected to the most rigorous trials so that we can obtain a competitive and satisfactory product. The motors, the electronic controls and the masts meet the strictest quality standards, bringing actual added value to this type of products.

Frame

The monobloc construction of the frame ensures maximum stability and enhanced mechanical resistance during stacking and travelling, maintaining high residual capacities even at maximum height. The battery compartment can be easily opened, simplifying the daily and periodical battery recharge and check operations. Standard lateral battery extraction system with rollers for readily battery replacement in case of intensive use during multiple work shifts.

Drive

Powerful and reliable three-phase ac traction motors, able to satisfy even the most demanding requests for performance, providing the necessary amount of power every time, as the speed of the truck can be adjusted by

changing the position of the accelerator pedal.

Steering

Easy to use servo-assisted electric steering with electronic equipment and dedicated ac motor for safe, silent and simple operation. The steering wheel can be longitudinally adjusted for enhanced driving comfort, with the possibility of selecting between 180° or 360° guidance by simply pressing the selection button.

Hydraulic functions

Powerful and silent ac lift motor, capable of adjusting the number of revolutions of the pump, providing the appropriate amount of oil every time. All hydraulic functions can be controlled using finger tips for precise and safe

load handling. Mast with built-in braking system for gradual slowdown at the end of the stroke, preventing any sudden stops that might affect the stability of the load.

Masts

The masts made of cold extruded profiles highly resistant to twisting and bending are available in the following versions:

- triplex masts with high overall free lift and lift capacities from 4,160 to 10,460 mm and above (on request);
- Tilting Forks;
- forks with built-in lateral shift adjustment to prevent changing the centre of gravity and for maintaining optimal residual capacities at any height.

Braking system

Independent braking systems available on all the products in this range:

- regenerative braking by reversing the running direction;
- regenerative braking by releasing the accelerator pedal; a real advantage for this type of product
- electromagnetic parking brake on the drive wheel;
- hydraulic braking on load wheels.

Electronic system

All the products in the Neos II range are fitted with cutting edge electronic controls that check and enable all machine functions and allow unlimited adjustments for performance optimisation, adapting the truck to the operation to be carried out. All hydraulic functions, electric drive and braking parameters can be set electronically from dashboard or remote desktop (directly by OMG), according to customer's requirements.

Operator's compartment

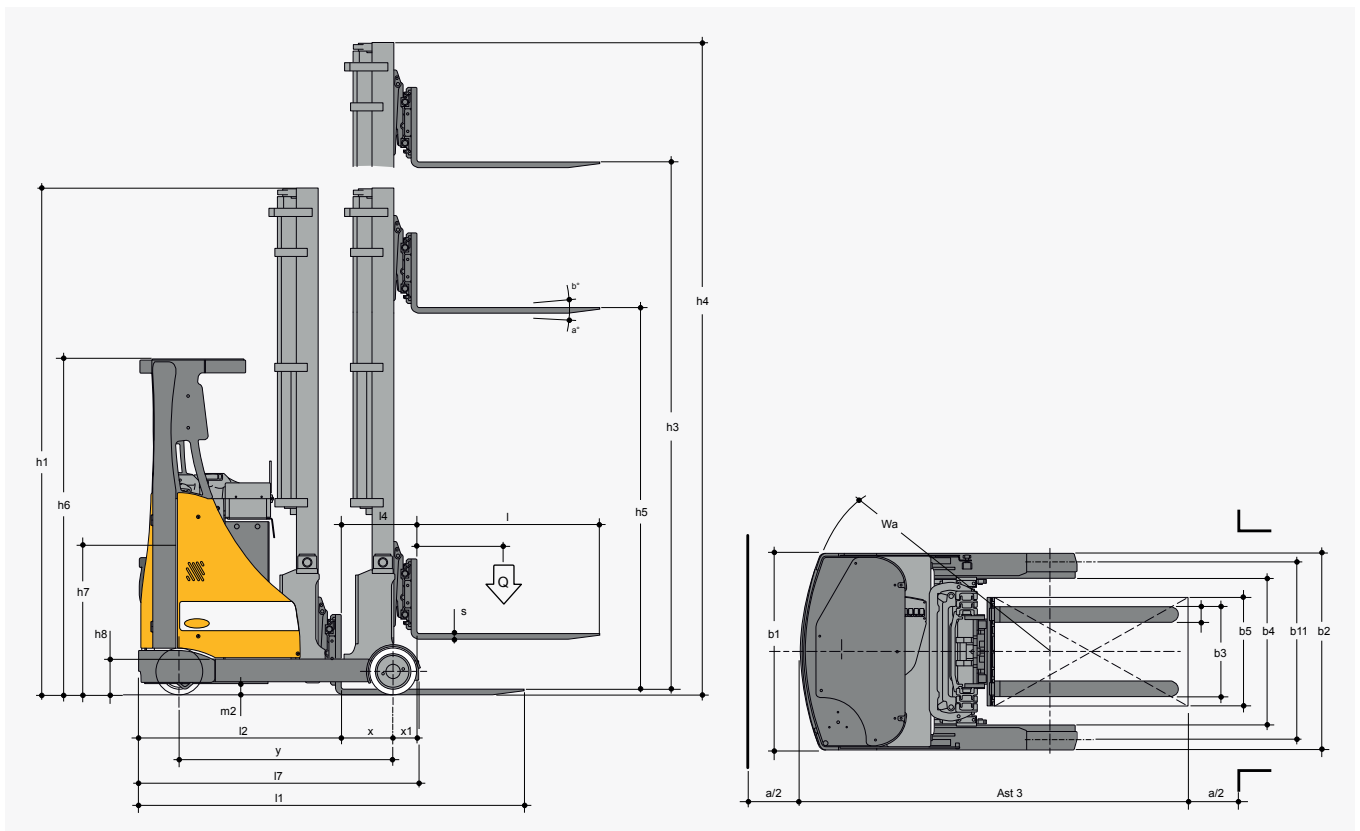
- fabric seat adjustable in depth and height;
- depth adjustable steering wheel;
- non-slip footrest;
- LCD display showing the most important operating data:
 - parking brake indicator;
 - warning lights (neutral position, controller and motor overheating);
 - operating hours timer;
 - travel speed display;
 - speed limiter "ON" indicator (tortoise button);
 - various operating modes E/S/H, E=economy S=standard H=super;
 - battery level indicator.

Finger tip

All hydraulic functions can be controlled using proportional finger tips for precise and safe load handling.

Lateral battery extraction

Lateral battery extraction system with rollers for readily battery replacement in case of intensive use during multiple work shifts.



Characteristics	1.1	Manufacturer		OMG S.r.l. Single member company		
	1.2	Model		NEOS II 13K ac	Neos II 16K ac	
		T = built-in shifter		C		
	1.3	Powertrain : E (electric)		E		
	1.4	Type of steering : S (steering wheel) R (seated)		S / R		
	1.5	Capacity	Q	t	1.3	1.6
	1.6	Center of mass	c	mm	600	
	1.8	Load distance from front axle	X	mm	339	
		Extended mast	X1	mm	238	
1.9	Wheel centre distance	Y	mm	1,470		
Weights	2.1	Truck weight (with battery)		kg	3,350	3,500
	2.3	Load on wheels and mast backwards (without load)		kg		
	2.4	Load on wheels and mast forwards (without load)		kg		
	2.5	Weight on wheels and mast backwards (with load)		kg		
Wheels	3.1	Wheels and tyres: vlk (vulkollan) se (superelastic)		vlk		
	3.2	Front wheels size		mm	343	
	3.3	Rear wheels size		mm	300	
	3.5	Wheels number : front / rear (x = drive)		1x / 2		
	3.7	Rear track	b 11	mm	1,045	
Dimensions	4.1	Mast / forks support plate forward / backward inclination		/ B	°	
	4.2	Lowered mast height		h1	mm	2,655
	4.3	Free lift		h5	mm	2,130
	4.4	Lifting height		h3	mm	5,965
	4.5	Extended mast height		h4	mm	6,620
	4.7	Overhead guard height		h6	mm	2,106
	4.8	Seat height from the ground		h7	mm	1,150
	4.10	Forks height		h8	mm	227
	4.19	Overall length		l1	mm	2,543
	4.20	Length including fork plates		l2	mm	1,393
	4.21	Overall width		b1 / b2	mm	1,150 / 1,155
	4.22	Forks size		s / e / l	mm	35 / 130 / 1,150
	4.23	Forks support plate Class/Type A, B		IIA		
	4.24	Forks support plate width		b5	mm	730
	4.25	Width over forks		b3	mm	700
	4.26	Forks internal gauge		b4	mm	848
	4.28	Mast stroke		l4	mm	577
4.32	Clearance at mid stroke		with load	m2	mm	73
4.33	Working aisle with 1000 x 1200 pallet and 1200 forking		Ast3	mm	2,818	
4.34	Working aisle with 800 x 1200 pallet and 800 forking		Ast3	mm	2,875	
4.35	Turning radius		Wa	mm	1,726	
4.37	Length including support forks		l7	mm	1,970	
Performance	5.1	Translation speed		with load / empty	km / h	13 / 13
	5.2	Lifting speed		with load / empty	m / s	0.35 / 0.50
	5.3	Lowering speed		with load / empty	m / s	0.50 / 0.45
	5.7	Climb angle		%		
	5.8	Max feasible gradient		%		
	5.9	Acceleration time (10 m)		s		
5.10	Service brake M (mechanical) I (hydraulic) IV (reverse) E (electromagnetic)		M / I			
Motor	6.1	Traction motor, power S2 60 min		kW	6.5	
	6.2	Lift motor, power S3 15%		kW	15	
	6.3	Battery as per DIN 43531 / 35 / 36 A, B, C, no		no		
	6.4	K5 battery voltage, capacity		V / Ah	48 / 465	48 / 620
	6.5	Battery weight (± 5 %)		kg	785	950
Other		Battery dimensions		mm	1,040 / 435 / 765	
	8.1	Start control type		AC INVERTER		
	8.2	Equipment operating pressure		bar	180	
	8.3	Oil flow rate for equipment (max available)		l / min	25	
	8.4	Noise level at operator's station		dB (A)	< 70	

technical data determined in compliance with VDI 2198

All data and images herein are indicative, OMG S.r.l. Single member company reserves the right to modify the documentation without prior notice.

multifunction monojoystick	o	lift indicator	o
revolving light	o	floor preselector 5 levels	o
reverse buzzer	o	video camera with b/n display in cabin	o
tilting system for forks support plate	s	metal cabin	o
LCD display	s	protection for cold storage	o
timer-battery state of charge indicator	s	heater	o
steering wheel indicator	s	simple battery extraction roller	o
travel speed display	s	double battery extraction roller	o
180° and 360° steering	s	lateral guide rollers	o
low speed button (tortoise)	s	work lights	o
built-in lateral shift adjustment	s	drive-in overhead guard	o

s=standard

o=optional

					Neos II 13K ac	Neos II 16K ac
	h3	h1	h4	h5	(Q) t	(Q) t
4,165 tx gal	mm	2,045	4,820	1,470	1.3	1.6
4,465 tx gal	mm	2,145	5,120	1,575	1.3	1.6
5,165 tx gal	mm	2,390	5,820	1,810	1.3	1.6
5,965 tx gal	mm	2,655	6,620	2,130	1.3	1.5
6,665 tx gal	mm	2,925	7,320	2,360	1.2	1.4
7,465 tx gal	mm	3,185	8,120	2,630	1.1	1.25
8,215 tx gal	mm	3,480	8,870	2,930	/	1.0