

moveXX

smart electric tugs

EN



Technical datasheet

CC2500-S

M010



» move your work easier

TECHNICAL DATA CC2500-S M010

According to VDI 2198 in Metric units.

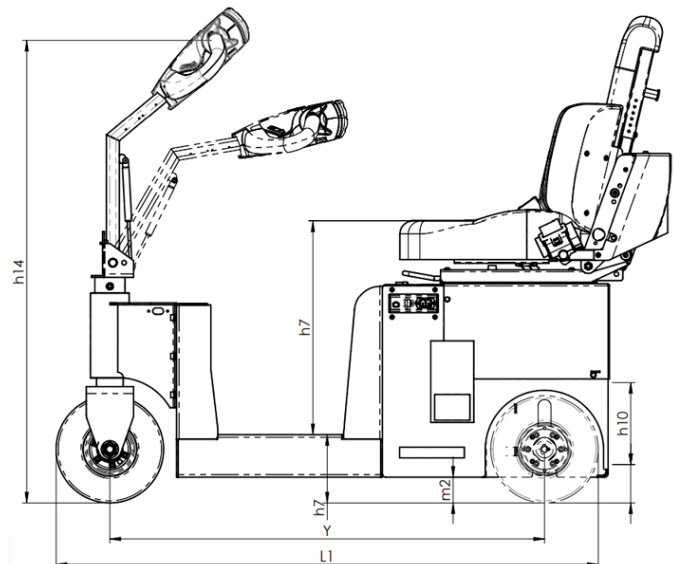
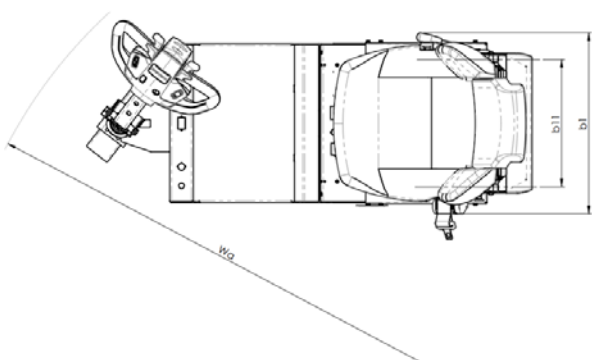
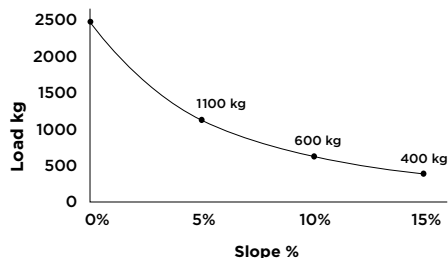
Characteristics	1.1	Manufacturer		Movexx International B.V.	
	1.2	Manufacturer's type designation		CC2500-S M010	
	1.3	Drive		AGM-VRLA	
	1.4	Operator type		Scooter	
	1.5*	Rated capacity/rated load	Q [t]	2.5	
	1.7**	Rated drawbar pull	F [N]	470	
	1.9	Wheelbase	y [mm]	1180	
Wt	2.1	Weight incl. battery	kg	295	
	2.3	Axle load with load (80kg person)	front/rear	kg	100/275
Tyres/Chassis	3.1	Tyres		Solid Rubber	
	3.2	Tyres size	front	mm	250x84
	3.3	Tyres size	rear	mm	250x84
	3.5	Wheels, number (x = driven)	front/rear		1/x2
	3.6	Tread	front/rear	b_{10}/b_{11} [mm]	-/404
Dimensions	4.8	Stand height/Seat height	min./max.	h_7 [mm]	160 / 500
	4.9	Tiller height	min./max.	h_{14} [mm]	890-1075
	4.12	Tow coupling height		h_{10} [mm]	90-280
	4.19	Total length		l_1 [mm]	1260
	4.21	Total width		b_1 [mm]	575
	4.32	Ground clearance, center of wheel base		m_2 [mm]	60
	4.35	Turning radius		W_a [mm]	1550
Performance	5.1	Travel speeds	with/without load	km/h	6/8
	5.1.1	Travel speed backwards	with/without load	km/h	4/4
	5.5**	Max drawbar pull (S2 = 30 min)	with/without load	N	470
	5.6**	Max drawbar pull (S2 = 5 min)	with/without load	N	1180
	5.8*	Maximum slope (5 min)	with/without load	%	0/15
	5.9	Acceleration	with/without load	s	10/6
	5.10	Service brake			Electromagnetic
Drive	6.1	Drive motor output (S2 = 60 min)		kW	0.75
	6.4	Battery voltage/rated capacity		V/Ah	24V/80
	6.5	Battery weight +/- 5%		kg	47
Other	8.1	Drive control			DC
	10.7	Sound level at operator's ear		dB(A)	<68

* The maximum payload is affected by the type of slope, operating time and floor type. See the graphic below for an indication of the allowable slope to load ratio (depending on slope surface/wheel type/machine weight).

** The maximum drawbar load on the hook [N] is determined by the engine power of the machine but is affected by the type of wheels of the machine and of the towed trolley/load, the type of surface and the driveable weight of the machine.

*** All values in this table have a tolerance of +/- 5%.

Machine capacity



TECHNICAL DATA CC2500-S M010

According to VDI 2198 in Imperial units.

Characteristics	1.1	Manufacturer		Movexx International B.V.
	1.2	Manufacturer's type designation		CC2500-S M010
	1.3	Drive		AGM-VRLA
	1.4	Operator type		Scooter
	1.5*	Rated capacity/rated load	Q [tn(US)]	2.7
	1.7**	Rated drawbar pull	F [lbf]	106
	1.9	Wheelbase	y [in]	46.5
Wt	2.1	Weight incl. battery	lb	650
	2.3	Axle load with load (80kg person)	front/rear	lb 220/606
Tyres/Chassis	3.1	Tyres		Solid Rubber
	3.2	Tyres size	front	in 9.8x3.3
	3.3	Tyres size	rear	in 9.8x3.3
	3.5	Wheels, number (x = driven)	front/rear	1/x2
	3.6	Tread	front/rear	b ₁₀ /b ₁₁ [in] -/16
	Dimensions	4.8	Stand height/Seat height	min./max.
4.9		Tiller height	min./max.	h ₁₄ [in] 35-42
4.12		Tow coupling height		h ₁₀ [in] 3.5-11
4.19		Total length		l ₁ [in] 49.5
4.21		Total width		b ₁ [in] 22.5
4.32		Ground clearance, center of wheel base		m ₂ [in] 2.4
4.35		Turning radius		Wa [in] 61
Performance	5.1	Travel speeds	with/without load	mph 3.7/4.9
	5.1.1	Travel speed backwards	with/without load	mph 2.5/2.5
	5.5**	Max drawbar pull (S2 = 30 min)	with/without load	lbf 105
	5.6**	Max drawbar pull (S2 = 5 min)	with/without load	lbf 265
	5.8*	Maximum slope (5 min)	with/without load	% 0/15
	5.9	Acceleration	with/without load	s 10/6
	5.10	Service brake		Electromagnetic
Drive	6.1	Drive motor output (S2 = 60 min)	hp	1
	6.4	Battery voltage/rated capacity	V/Ah	24V/80
	6.5	Battery weight +/- 5%	lb	103
Other	8.1	Drive control		DC
	10.7	Sound level at operator's ear	dB(A)	<68

* The maximum payload is affected by the type of slope, operating time and floor type. See the graphic below for an indication of the allowable slope to load ratio (depending on slope surface/wheel type/machine weight).

** The maximum drawbar load on the hook [lbf] is determined by the engine power of the machine but is affected by the type of wheels of the machine and of the towed trolley/load, the type of surface and the driveable weight of the machine.

*** All values in this table have a tolerance of +/- 5%.

Machine capacity

