

moveXX

smart electric tugs

EN



Technical datasheet

TT6000-S

M060



» move your work easier

TECHNICAL DATA TT6000-S M060

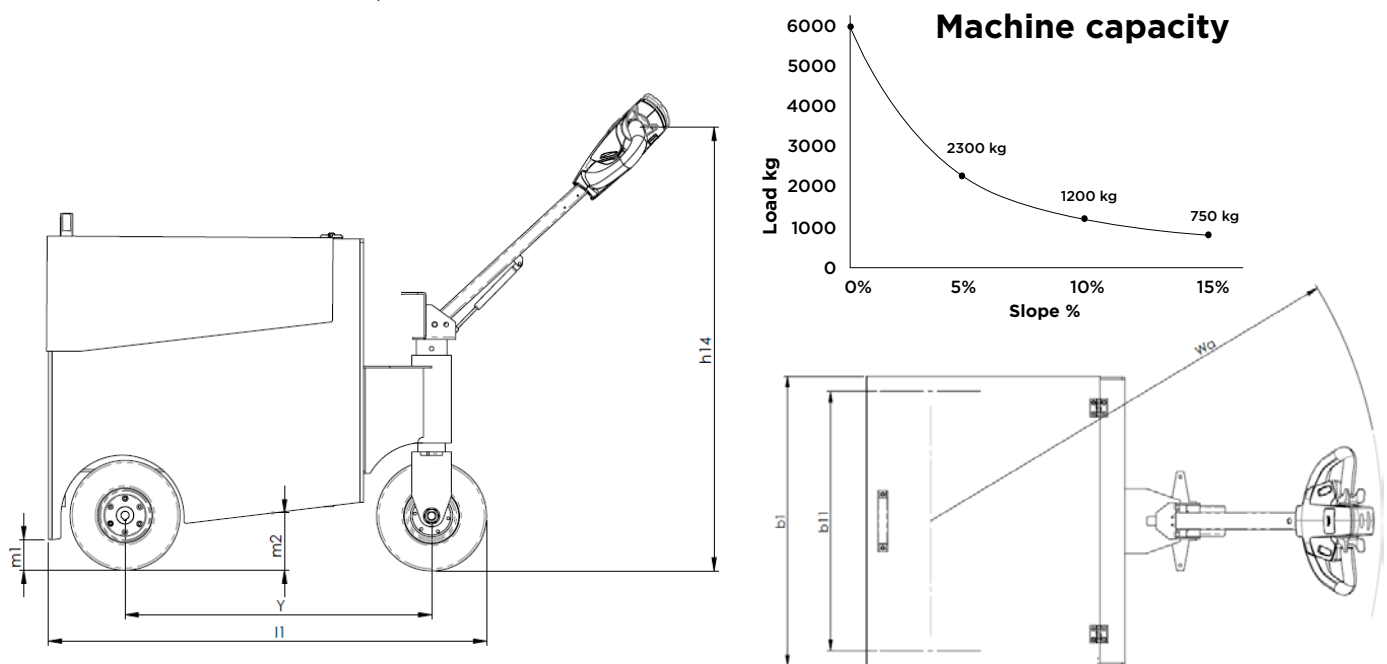
According to VDI 2198

Character	1.1	Manufacturer		Movexx International B.V.	
	1.2	Manufacturer's type designation		TT6000-S M060	
	1.3	Drive		AGM-VRLA	
	1.4	Operator type		Pedestrian	
	1.5*	Rated capacity/rated load	Q [t]	6	
	1.7**	Rated drawbar pull	F [N]	2740	
	1.9	Wheelbase	y [mm]	697	
Wt	2.1	Weight incl. battery	kg	700	
	2.3	Axle load without load	front/rear	kg	200/500
Tyres/Chassis	3.1	Tyres		Solid Rubber	
	3.2	Tyres size	front	mm	250 x 84
	3.3	Tyres size	rear	mm	250 x 84
	3.5	Wheels, number (x = driven)	front/rear		1/x2
	3.6	Tread	front/rear	b_{10}/b_{11} [mm]	-/722
Dimensions	4.9	Tiller height	min./max.	h_{14} [mm]	750-1269
	4.12	Tow coupling height		h_{10} [mm]	126-416
	4.19	Total length		l_1 [mm]	996
	4.21	Total width		b_1 [mm]	807
	4.31	Ground clearance, rear of machine		m_1 [mm]	69.5
	4.32	Ground clearance, center of wheel base		m_2 [mm]	130
	4.35	Turning radius		W_a [mm]	635
Performance	5.1	Travel speeds	with/without load	km/h	2.5/4
	5.1.1	Travel speed backwards	with/without load	km/h	2.5/4
	5.5**	Max drawbar pull (S2 = 60 min)	with/without load	N	1100
	5.6**	Max drawbar pull (S2 = 5 min)	with/without load	N	2740
	5.8*	Maximum slope (5 min)	with/without load	%	0/15
	5.9	Acceleration	with/without load	s	7/4
	5.10	Service brake			Electromagnetic
Drive	6.1	Drive motor output (S2 = 60 min)		kW	1.1
	6.4	Battery voltage/rated capacity		V/Ah	24/160
	6.5	Battery weight +/- 5%		kg	94
Other	8.1	Drive control			DC
	10.7	Sound level at operator's ear		dB(A)	<65

* The maximum payload is affected by the type of slope, operating time and floor type. See the graphic below for an indication of the allowable slope to load ratio (depending on slope surface/wheel type/machine weight).

** The maximum drawbar load on the hook [N] is determined by the engine power of the machine but is affected by the type of wheels of the machine and of the towed trolley/load, the type of surface and the driveable weight of the machine.

*** All values in this table have a tolerance of +/- 5%.



TECHNICAL DATA TT6000-S M060

According to VDI 2198 in Imperial units.

Character	1.1	Manufacturer		Movexx International B.V.	
	1.2	Manufacturer's type designation		TT6000-S M060	
	1.3	Drive		AGM-VRLA	
	1.4	Operator type		Pedestrian	
	1.5*	Rated capacity/rated load	Q [tn(US)]	6.6	
	1.7**	Rated drawbar pull	F [lbf]	616	
	1.9	Wheelbase	y [in]	27.5	
Wt	2.1	Weight incl. battery	lb	1543	
	2.3	Axle load without load	front/rear	lb	441/1102
Tyres/Chassis	3.1	Tyres		Solid Rubber	
	3.2	Tyres size	front	in	9.8 x 3.3
	3.3	Tyres size	rear	in	9.8 x 3.3
	3.5	Wheels, number (x = driven)	front/rear		1/x2
	3.6	Tread	front/rear	b_{10}/b_{11} [in]	-/28.5
Dimensions	4.9	Tiller height	min./max.	h_{14} [in]	29.5-50
	4.12	Tow coupling height		h_{10} [in]	5-16.5
	4.19	Total length		l_1 [in]	39
	4.21	Total width		b_1 [in]	32
	4.31	Ground clearance, rear of machine		m_1 [in]	2.7
	4.32	Ground clearance, center of wheel base		m_2 [in]	5
Performance	4.35	Turning radius		W_a [in]	25
	5.1	Travel speeds	with/without load	mph	1.5/2.5
	5.1.1	Travel speed backwards	with/without load	mph	1.5/2.5
	5.5**	Max drawbar pull (S2 = 60 min)	with/without load	lbf	247
	5.6**	Max drawbar pull (S2 = 5 min)	with/without load	lbf	616
	5.8*	Maximum slope (5 min)	with/without load	%	0/15
	5.9	Acceleration	with/without load	s	7/4
5.10	Service brake			Electromagnetic	
Drive	6.1	Drive motor output (S2 = 60 min)	hp	1.5	
	6.4	Battery voltage/rated capacity	V/Ah	24/160	
	6.5	Battery weight +/- 5%	lb	207	
Other	8.1	Drive control		DC	
	10.7	Sound level at operator's ear	dB(A)	<65	

* The maximum payload is affected by the type of slope, operating time and floor type. See the graphic below for an indication of the allowable slope to load ratio (depending on slope surface/wheel type/machine weight).

** The maximum drawbar load on the hook [lbf] is determined by the engine power of the machine but is affected by the type of wheels of the machine and of the towed trolley/load, the type of surface and the driveable weight of the machine.

*** All values in this table have a tolerance of +/- 5%.

