



Manoeuvrable and versatile forklift truck with mobile base, ideal for double pallets

The 716 BMK ac electric forklift trucks are designed and manufactured for intensive use: the cutting edge technology, high quality materials and ease of use and maintenance render these machines ideal for day-to-day efficient, economical and comfortable work. The mobile base (forks lifting) provides high manoeuvrability even at full load, on ramps, platforms and irregular floors. Thanks to its mobile base, the truck can also be used for transporting two pallets at the same time, significantly reducing the handling times.

Frame

Made of bended sheet metal to minimise any tensions induced by welds, ensuring maximum stability and best mechanical resistance under any conditions of transport and storage. The configuration with four support points provides maximum stability. The simple pivoting wheel adjustment system helps maintaining the same grip level, compensating for any wear-out of the drive wheel. The highly visible masts and the lateral tiller ensure optimal visibility for load storage, picking and transport. The battery compartment cover is hinged, facilitating battery top-up and daily and periodical maintenance operations. Particular attention was paid to simplify the access to mechanical parts so as to minimise the routine maintenance costs.

Masts

The OMG masts are made of cold extruded profiles, ensuring high resist-

ance to bending and twisting. The lift cylinders are installed outside of the mast profiles and the chains are protected to ensure perfect visibility and maximum safety. Available in simplex, duplex and triplex version with wide free lift.

Hydraulic functions

The 3kW powerful and silent lift motor with high torque ration offers high performance with low power consumption. The pumps are highly efficient and very quiet. The mini joystick installed on the tiller (finger touch) allows the operator to lift and lower the forks without releasing the tiller.

Drive

Powerful and reliable AC traction motor, capable of meeting even the most demanding requests in terms of performance, under any conditions. Travel

speed controlled directly by the throttle installed on the tiller.

Braking system

There are three braking systems in this range:

- braking by reversing the running direction and releasing the throttle (service braking that can be adjusted from the control panel);
- emergency braking that takes place automatically if the tiller is suddenly released or lowered (electromagnetic brake);
- parking brake.

Electronic system

The machine are fitted with AC control with power recovery during braking, when the running direction is reversed and the control throttle is released. From this control, the operator can manage all truck's functions and carry out unlimited adjustments for performance optimisation, adapting the machine to any application, while ensuring silent operation and low power consumption at the same time.

The configuration with four support points provides optimal stability, ensuring maximum safety and comfort during load picking and storage. The mini joystick (finger touch) allows the operator to control the truck by simply moving his finger along the tiller, ensuring precise and smooth load lifting and lowering, without taking his hands off the tiller. The hydraulic motor with fluid adjustment system reduces the noise, ensuring at the same time smooth and precise load lifting. Enhanced lifting and lowering speed for faster operations. Side cylinders fitted with silent blocks to prevent any kickbacks that might affect the stability of the load during forks lowering.



Facilitated maintenance operations thanks to wide chassis opening that allows replacing the drive wheel without lifting the entire truck. New polyethylene casings with innovative opening system for easy access to all main components during routine and extraordinary maintenance operations.



The new range of forklift trucks is fitted with traction batteries of up to 375 Ah. The lateral battery extraction system is available on request. With the wo-wa battery charger installed on-board (optional) you can recharge your truck from any socket. The electronic control comes with IP 65 protection rating and is waterproof and dustproof. The tiller head can also be manufactured with IP55 protection rating for protection against dust and water (standard feature for cold store versions).



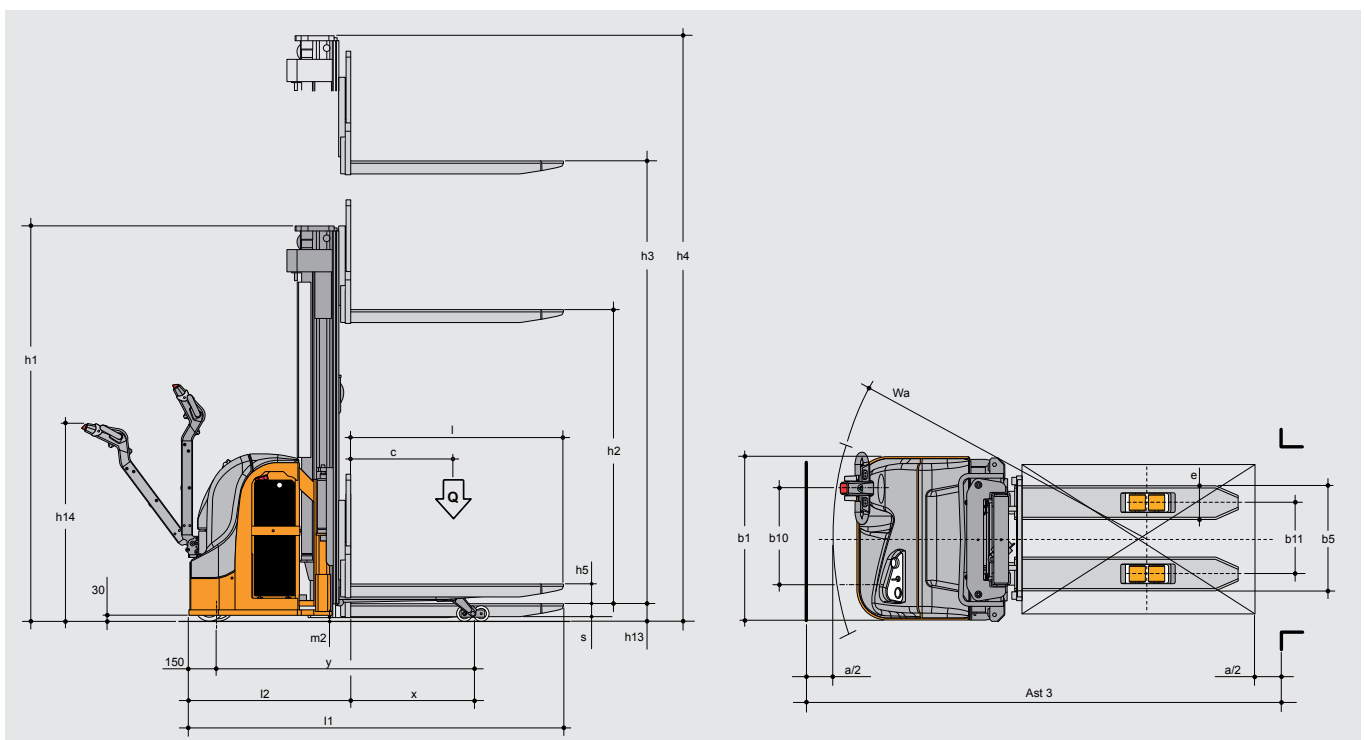
Accessories and special features

total free lift for duplex column	■	double lateral battery extraction roller with wheels	■
total free lift for triplex column	■	access keypad with pin code	■
protection for cold storage	■	anti roll-back device	■
supertrack drive wheel	■	electronic speed control	■
polyurethane drive wheel	■	electronic braking system	■
low speed push-button with tiller in vertical position	■	electromagnetic parking brake	■
servo-assisted tiller	■	voltmeter-timer, auto-lock function when 80% of the battery capacity is discharged	■
lateral battery extraction system	■	24V 35A current rectifier on-board	■
roller for lateral battery extraction	■	automatic battery filling system	■

standard ■
optional ■

		Standard masts			716 BMK ac		
Description		Lowered mast height	Forks stroke	Total lifting	Lowered mast height	Free lift	Capacity (t)
		h ₁	h ₃	h ₃ +h ₁₃	h ₄	h ₂	(t) c=600 mm
Simplex	mm	2,080	1,560	1,650	2,215	1,560	1.6
	mm	1,895	2,710	2,800	3,405	1,470*	1.6
Duplex	mm	2,145	3,010	3,100	3,405	1,620*	1.45
	mm	2,400	3,510	3,600	4,205	1,870*	1.25
Triplex GAL	mm	1,900	3,810	3,900	4,550	1,370	1.1
	mm	2,000	4,110	4,200	4,850	1,470	1.0
	mm	2,150	4,560	4,610	5,250	1,620	0.85
	mm	2,400	5,310	5,400	6,000	1,870	0.5

* optional



Characteristics	1.1	Manufacturer			OMG S.r.l. Single member company
	1.2	Model			716 BMK ac
		Execution			
	1.3	Operation			Electric
	1.4	Operator position			At ground level
	1.5	Capacity	Q	t	1.6
		Mast lift capacity	Q	t	/
		Forks lift capacity	Q	t	/
		Forks + mast lift capacity	Q	t	0.8 + 0.8
	1.6	Load centre of gravity	c	mm	600
1.8	Load distance	x	mm	735	
1.9	Wheel centre distance	y	mm	1,446	
Weights	2.1	Truck weight incl. battery (see line 6.5)		kg	1,330
	2.2	Weight on axis with front / rear load		kg	1,040 / 1,902
	2.3	Weight on axis without front / rear load		kg	906 / 422
Wheels Frame	3.1	Wheels and tyres			polyurethane
	3.2	Front wheel size		mm	85
	3.3	Rear wheels size		mm	245
	3.4	Stabiliser wheels size		mm	150
	3.5	Number of front / rear wheels (x = drive)		no.	1x + 1 / 4
	3.6	Front track	b10	mm	535
	3.7	Rear track	b11	mm	380
Base dimensions	4.2	Lowered mast height	h1	mm	2,145
	4.3	Free lift	h2	mm	1,620*
	4.4	Forks lifting stroke	h3	mm	3,010
	4.5	Extended mast height	h4	mm	3,405
	4.6	Initial lift	h5	mm	110
	4.9	Tiller height in min. /max. driving position	h14	mm	852 / 1,247
	4.15	Forks lowered height	h13	mm	90
	4.19	Overall length	l1	mm	2,015
	4.20	Length including forks heel	l2	m	862
	4.21	Overall width	b1/ b2	mm	880
	4.22	Forks size	s/e/l	mm	70 / 180 / 1,150
	4.25	Width over forks	b5	mm	560
	4.32	Clearance at mid stroke	m2	mm	30
	4.33	Working aisle width with 1000 x 1200 transversal pallet	Ast	mm	2,585
	4.34	Working aisle width with 800 x 1200 longitudinal pallet	Ast	mm	2,515
4.35	Turning radius	Wa	mm	1,700	
Performance	5.1	Speed with / without load		km/h	5.8 / 6
	5.2	Lifting speed with / without load		m/s	0.14 / 0.18
	5.3	Lowering speed with/without load		m/s	0.38 / 0.30
	5.8	Max. feasible gradient with / without load		%	6 / 10
	5.10	Service brake			Electromagnetic
Electric motors	6.1	Traction motor, 60 min performance with S2		kW	1.2
	6.2	Lift motor, 15% performance with S3		kW	3
	6.3	Battery as per DIN 43531 / 35 / 36 A, B, C, no			43531 A
	6.4	K5 battery voltage, nominal capacity		V/Ah	24 / 270 - 345* - 375*
	6.5	Battery weight		kg	245 - 295* - 297*
	6.6	Power consumption as per VDI cycle		kW/h	1.25
Miscellaneous	8.1	Type of electronic system			ac
	8.4	Noise threshold as per EN 12 053		dB(A)	< 70
					*optional

Technical data sheet referring to pallet truck in standard version; data determined in compliance with VDI 2198. These values may differ if your product is fitted with other types of wheels and tires, supports and accessories. All data and images herein are indicative, OMG S.r.l. Single member company reserves the right to modify the documentation without prior notice.