

Economical and reliable walk behind forklift trucks



Logos Light is ideal for light duty applications. Its compact size allows it to move easily even through the most tightest spaces. Available with simplex 1,565 mm and duplex 2,815 mm masts and two 12V 100 AH starter batteries or, optional, two 12V 100AH semi-traction batteries. Logos ac is versatile and easy to use, specially designed for medium duty applications. The 0.7 kW ac traction motor and the cutting edge electronic control system render it easy to use and powerful under any operating conditions, even on slopes. The new steering system allows even easier maneuvering in tight spaces and aisles under 2,250 mm. The machine is equipped with a 160 AH battery (250 AH optional) and in standard version it comes with a duplex mast up to 4,115 mm

Frame

Made of bended sheet metal to minimise any tensions induced by welds, ensuring maximum mechanical resistance over time. The configuration with four support points provides maximum stability. The simple adjustment system helps maintaining the same grip level, compensating for any wear-out of the drive wheel. The highly visible masts and the lateral tiller ensure optimal visibility for load storage, picking and transport. The battery compartment cover is hinged, facilitating battery top-up and daily and periodical maintenance operations. Particular attention was paid to simplify the access

to mechanical parts so as to minimise the routine maintenance costs.

Masts

The OMG masts are made of cold extruded profiles ensuring high resistance to bending and twisting, with nominal capacities of 1,000 and 1,200 kg. The pumps are highly efficient and very quiet. The mini joystick installed on the tiller (available only on Logos ac model) allows the operator to lift and lower the forks without releasing the tiller.

Drive

Powerful and reliable traction motors, able to satisfy even the most demanding requests for performance, providing the necessary amount of

power every time, as the speed of the truck can be adjusted by changing the position of the throttle.

Braking system

There are three braking systems in this range:

- braking by reversing the running direction and releasing the throttle (service braking that can be adjusted from the control panel);
- emergency braking that takes place automatically if the tiller is suddenly released or lowered (electromagnetic brake);
- parking brake.

Electronic system

The machines are fitted with AC control system (Logos AC) with power recovery during braking, when the running direction is reversed and the control throttle is released.

From this control, the operator can manage all truck's functions and carry out unlimited adjustments for performance optimisation, adapting the machine to any application, while ensuring silent operation and low power consumption at the same time.

The configuration with four support points provides optimal stability, ensuring maximum safety and comfort during load picking and storage. The mini joystick installed on the tiller (only on Logos ac model) allows the operator to control the truck by simply moving his finger along the tiller, allowing pre-

cise and smooth load lifting and lowering, without taking his hands off the tiller. The hydraulic motor with fluid adjustment system reduces the noise, ensuring at the same time smooth and precise load lifting.



The battery compartment can be easily opened by lifting the hinged cover, simplifying the daily and periodical battery recharge and check operations. Logos ac is available with batteries of up to 250 Ah. Standard version comes with a battery charger installed on-board so that you can recharge your truck from any socket. Logos Light comes with 12V 100Ah starter battery and can be supplied with 12V 100Ah semi-traction batteries as optional.



Logos Light accessories and special features

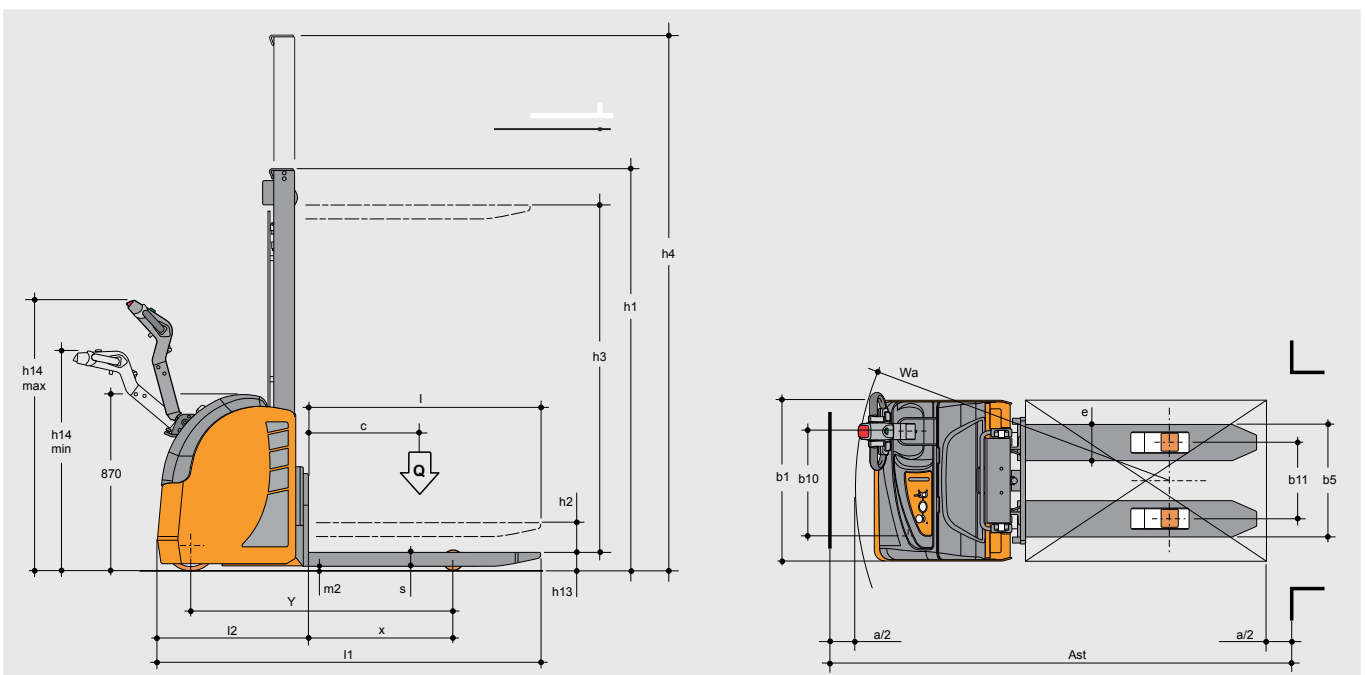
double front roller	■	24V 10A current rectifier on-board	■
low speed push-button with tiller in vertical position	■	semi-traction batteries	■
		standard	■
		optional	■

Logos ac accessories and special features

double front roller	■	anti roll-back system	■
low speed push-button with tiller in vertical position	■	electronic speed control	■
supertrack drive wheel	■	electronic braking system	■
anti-trace rubber drive wheel	■	electromagnetic parking brake	■
polyurethane drive wheel	■	voltmeter-timer, auto-lock function when 80% of the battery capacity is discharged	■
automatic battery filling system	■	24V 20A current rectifier on-board	■
access keypad with pin code	■		
		standard	■
		optional	■

		Standard masts				Logos Light	Logos ac	
Description		Lowered mast height	Forks stroke	Total lifting	Lowered mast height	Free lift	Capacity (t)	Capacity (t)
		h ₁	h ₃	h ₃ +h ₁₃	h ₄	h ₂	(t) c=600 mm	(t) c=600 mm
Simplex	mm	2,085	1,565	1,650	2,085	/	1.0	1.2
	mm	2,005	2,815	2,900	3,400	/	0.8	1.0
Duplex	mm	2,355	3,515	3,600	4,100	/	*	0.8
	mm	2,655	4,115	4,200	4,700	/	*	0.4

* masts not available for Logos Light



Characteristics	1.1	Manufacturer	OMG S.r.l. Single member company				
	1.2	Model	Logos Light		Logos ac		
		Execution					
	1.3	Operation	Electric		Electric		
	1.4	Operator position	At ground level		At ground level		
	1.5	Capacity	Q	t	1.0	1.2	
		Mast lift capacity	Q	t	/	/	
		Forks lift capacity	Q	t	/	/	
		Forks + mast lift capacity	Q	t	/	/	
	1.6	Load centre of gravity	c	mm	600	600	
1.8	Load distance	x	mm	700	680		
1.9	Wheel centre distance	y	mm	1,350	1,350		
Weights	2.1	Truck weight including battery (see line 6.5)			kg	660	770
	2.2	Weight on axis with front / rear load			kg	530 / 1,130	630 / 1,340
	2.3	Weight on axis without front / rear load			kg	452 / 208	528 / 242
Wheels Frame	3.1	Wheels and tyres				polyurethane	polyurethane
	3.2	Front wheel size			mm	85	85
	3.3	Rear wheels size			mm	190	245
	3.4	Stabiliser wheels size			mm	150	150
	3.5	Number of front / rear wheels (x = drive)			no.	1x + 1 / 2-4*	1x + 1 / 2-4*
	3.6	Front track	b10	mm		520	520
	3.7	Rear track	b11	mm		380	380
Base dimensions	4.2	Lowered mast height	h1	mm		2,005	2,005
	4.3	Free lift	h2	mm		85	85
	4.4	Forks lifting stroke	h3	mm		2,815	2,815
	4.5	Extended mast height	h4	mm		3,400	3,400
	4.6	Initial lift	h5	mm		/	/
	4.9	Tiller height in min. /max. driving position	h14	mm		840 / 1,295	840 / 1,295
	4.15	Forks lowered height	h13	mm		90	90
	4.19	Overall length	l1	mm		1,905	1,905
	4.20	Length including forks heel	l2	m		754	754
	4.21	Overall width	b1/ b2	mm		800	800
	4.22	Forks size	s/e/l	mm		70 / 180 / 1,150	70 / 180 / 1,150
	4.25	Width over forks	b5	mm		560	560
	4.32	Clearance at mid stroke	m2	mm		15	15
4.33	Working aisle width with 1000 x 1200 transversal pallet	Ast	mm				
4.34	Working aisle width with 800 x 1200 longitudinal pallet	Ast	mm		2,227	2,227	
4.35	Turning radius	Wa	mm		1,545	1,545	
Performance	5.1	Speed with / without load			km/h	2.8 / 3.3	4.5 / 5.2
	5.2	Lifting speed with / without load			m/s	0.12 / 0.20	0.11 / 0.20
	5.3	Lowering speed with/without load			m/s	0.30 / 0.17	0.31 / 0.18
	5.8	Max. feasible gradient with / without load			%		7 / 10
	5.10	Service brake				Electromagnetic	Electromagnetic
Electric motors	6.1	Traction motor, 60 min performance with S2			kW	0.7	0.7
	6.2	Lift motor, 15% performance with S3			kW	2	2
	6.3	Battery as per DIN 43531 / 35 / 36 A, B, C, no				no	DIN 43531
	6.4	K5 battery voltage, nominal capacity			V/Ah	2x12 / 100	24 / 160 - 250*
	6.5	Battery weight			kg	2 x 30	144
	6.6	Power consumption as per VDI cycle			kW/h		1.00
Miscellaneous	8.1	Type of electronic system				DC	ac
	8.4	Noise threshold as per EN 12 053			dB(A)	< 70	< 70
						* optional	
<p>Technical data sheet referring to pallet truck in standard version; data determined in compliance with VDI 2198. These values may differ if your product is fitted with other types of wheels and tires, supports and accessories. All data and images herein are indicative, OMG S.r.l. Single member company reserves the right to modify the documentation without prior notice.</p>							