

## Efficient, versatile and easy to use electric pallet trucks with semi-seated operator



The Pallet trucks with semi-seated operator position and with or without transversal steering column are ideal for loading and unloading of lorries on/from logistic platforms and for transporting (and stacking) goods over long distances. Thanks to their small size, these trucks are efficient and easy to use even in tight spaces.

### Electronic system

The Virtus 20 RX ac trucks are equipped with ac electronic equipment. These controls check and enable all machine functions and allow unlimited adjustments for performance optimisation, adapting the truck to the operation to be carried out, ensuring silent operation and high performance with low power consumption. All electric drive and braking parameters can be set from a control panel, according to customer's requirements. Powerful acceleration with quick change of direction. The anti roll-back system turns on automatically when working on slopes, ensuring maximum safety for the operator.

### Drive

Powerful and reliable three-phase ac traction motors, able to satisfy even the most demanding requests for performance, providing the necessary amount of power every time, as the speed of the truck can be adjusted by changing the position of the throttle.

### Braking system

There are three braking systems in this range:

- braking by reversing the running direction and releasing the throttle (service braking that can be adjusted from the control panel);
- emergency braking that takes place automatically if the tiller is suddenly released or lowered (electromagnetic brake);
- parking brake.

### Frame

Made of bended sheet metal to minimise any tensions induced by welds, ensuring maximum mechanical resistance over time. Standard lateral battery extraction system for readily replacement in case of heavy duty applications and multiple work shifts. Particular attention has been paid to provide easy access to wear parts, minimising therefore the routine maintenance costs.

---

## Operator's compartment

The central operator workstation located inside the chassis protects the operator while offering him 360° visibility, preventing any neck pain. The cushioned footrest absorbs any shocks and vibrations for comfortable driving even on irregular floors. All the controls are intuitive and easily accessible. The dashboard shows all machine parameters including the traction speed, battery life and operating hours. The compact size of the Virtus 20 RX ac (790 mm) renders them ideal for easy loading and unloading from lorries. The steering wheel (small diameter) and the control lever are angled for enhanced ergonomics, reducing operator fatigue and ensuring maximum comfort.



---

## Low step height

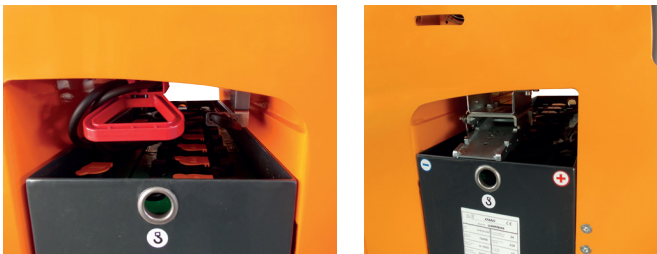
Low step height for safe and quick climbing on and off the truck.



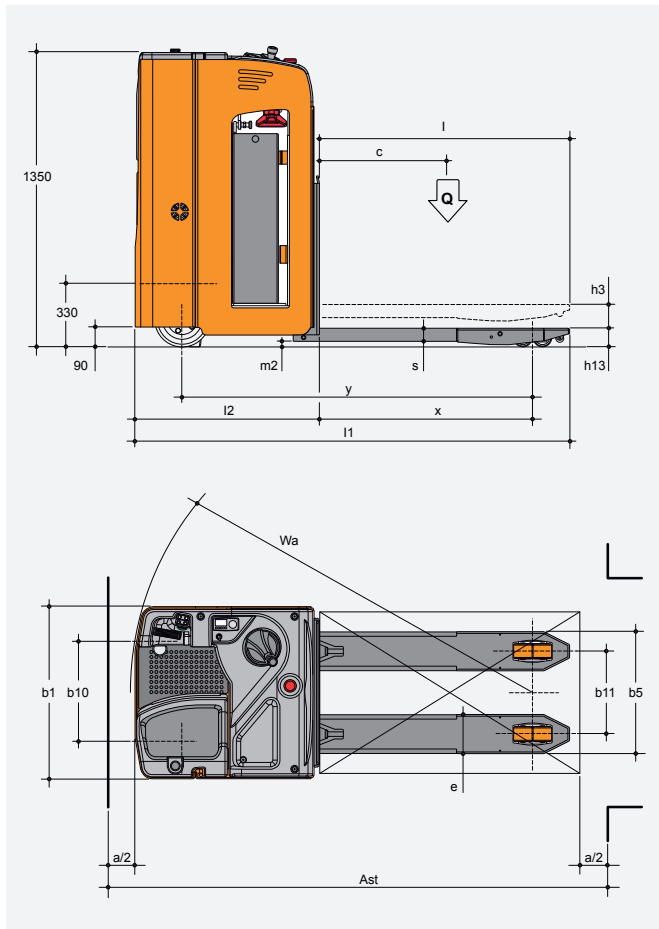
---

## Lateral battery extraction

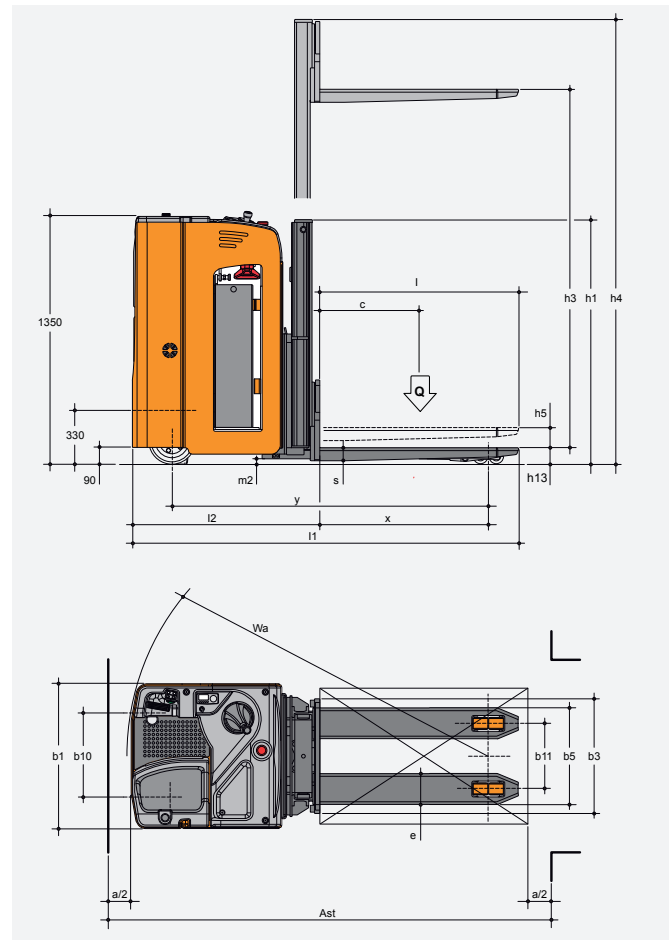
High-capacity battery (24V 465Ah and 24V 620Ah optional) for long battery life. Easy lock system for battery extraction, ideal for quick replacement when used on multiple work shifts.



## Virtus 20 RX ac



## Virtus 20 RX-C ac



### Accessories and special features

|                                                        |   |                                                                                                 |            |
|--------------------------------------------------------|---|-------------------------------------------------------------------------------------------------|------------|
| double front roller                                    | ■ | central battery recharger                                                                       | ■          |
| width over forks 540 mm                                | ■ | access keypad with pin code                                                                     | ■          |
| forks external gauge 680 mm (only for Virtus 20 RX ac) | ■ | electronic braking system                                                                       | ■          |
| supertrack drive wheel                                 | ■ | anti roll-back device                                                                           | ■          |
| polyurethane drive wheel                               | ■ | electronic speed control                                                                        | ■          |
| automatic slowdown in curves                           | ■ | electromagnetic parking brake                                                                   | ■          |
| 12 km/h speed                                          | ■ | protection for cold store                                                                       | ■          |
| lateral battery extraction system                      | ■ | 24V 625Ah traction battery 24V 90A current rectifier                                            | ■          |
| simple battery extraction roller                       | ■ | forks length exceeding 1,150 mm (only for Virtus 20 RX ac)                                      | ■          |
| double battery extraction roller with wheels           | ■ | display with voltmeter-timer, auto-lock function when 80% of the battery capacity is discharged | ■          |
|                                                        |   | standard ■                                                                                      | optional ■ |

|                 |                                                         |                                                         |       |                 |                   |               |
|-----------------|---------------------------------------------------------|---------------------------------------------------------|-------|-----------------|-------------------|---------------|
| Characteristics | 1.1                                                     | Manufacturer                                            |       | OMG S.r.l.      |                   |               |
|                 | 1.2                                                     | Model                                                   |       | Virtus 20 RX ac | Virtus 20 RX-C ac |               |
|                 |                                                         | Execution                                               |       |                 |                   |               |
|                 | 1.3                                                     | Operation                                               |       | Electric        |                   |               |
|                 | 1.4                                                     | Operator position                                       |       | ride-on         |                   |               |
|                 | 1.5                                                     | Capacity                                                | Q     | t               | 2.0               |               |
|                 |                                                         | Mast lift capacity                                      | Q     | t               |                   | 1.5           |
|                 |                                                         | Forks lift capacity                                     | Q     | t               |                   | 2.0           |
|                 |                                                         | Forks + mast lift capacity                              | Q     | t               |                   | 2.0           |
|                 | 1.6                                                     | Load centre of gravity                                  | c     | mm              | 600               |               |
| 1.8             | Load distance                                           | x                                                       | mm    | 980             | 977               |               |
| 1.9             | Wheel centre distance                                   | y                                                       | mm    | 1,610           | 1,800             |               |
| Weights         | 2.1                                                     | Truck weight incl. battery (see line 6.5)               |       | kg              | 1,146             | 1,400         |
|                 | 2.2                                                     | Weight on axis with front / rear load                   |       | kg              | 1,905 / 1,012     | 1,955 / 1,495 |
|                 | 2.3                                                     | Weight on axis without front / rear load                |       | kg              | 220 / 916         | 270 / 1,130   |
| Wheels Frame    | 3.1                                                     | Wheels and tyres                                        |       | mm              | polyurethane      |               |
|                 | 3.2                                                     | Front wheels size                                       |       | mm              | 250 x 100         |               |
|                 | 3.3                                                     | Rear wheels size                                        |       | mm              | 85 x 70           |               |
|                 | 3.4                                                     | Stabiliser wheels size                                  |       | mm              | 150 x 50 / 2      |               |
|                 | 3.5                                                     | Number of front / rear wheels (x = drive)               |       | no.             | (1x +2) / 4       |               |
|                 | 3.6                                                     | Front track                                             | b10   | mm              | 437               |               |
|                 | 3.7                                                     | Rear track                                              | b11   | mm              | 380               |               |
| Base dimensions | 4.2                                                     | Lowered mast height                                     | h1    | mm              | /                 | 1,200         |
|                 | 4.4                                                     | Forks lifting stroke                                    | h3    | mm              | 120               | 1,400         |
|                 | 4.5                                                     | Extended mast height                                    | h4    |                 | /                 | 1,900 / 2,020 |
|                 | 4.6                                                     | Initial lift                                            | h5    |                 | /                 | 120           |
|                 | 4.8                                                     | Seat height / platform height                           |       | mm              | 330               |               |
|                 | 4.15                                                    | Forks lowered height                                    | h13   | mm              | 85                | 90            |
|                 | 4.19                                                    | Overall length                                          | l1    | mm              | 1,895             | 2,188         |
|                 | 4.20                                                    | Length including forks heel                             | l2    | mm              | 846               | 1,040         |
|                 | 4.21                                                    | Overall width                                           | b1    | mm              | 790               |               |
|                 | 4.22                                                    | Forks size                                              | s/e/l | mm              | 60/180/1,150      | 75/180/1,150  |
|                 | 4.25                                                    | Width over forks                                        | b5    | mm              | 560               |               |
|                 | 4.32                                                    | Clearance at mid stroke                                 | m2    | mm              | 25                |               |
|                 | 4.33                                                    | Working aisle width with 1000 x 1200 transversal pallet | Ast   | mm              |                   |               |
| 4.34            | Working aisle width with 800 x 1200 longitudinal pallet | Ast                                                     | mm    | 2,250           | 2,440             |               |
| 4.35            | Turning radius                                          | Wa                                                      | mm    | 1,835           | 2,025             |               |
| Performance     | 5.1                                                     | Speed with / without load                               |       | km/h            | 12 / 12.5         | 11.5 / 12     |
|                 | 5.2                                                     | Lifting speed with / without load                       |       | m/s             | 0.06 / 0.07       | 0.15 / 0.22   |
|                 | 5.3                                                     | Lowering speed with/without load                        |       | m/s             | 0.07 / 0.05       | 0.45 / 0.30   |
|                 | 5.8                                                     | Max. feasible gradient with / without load              |       | %               | 8 / 15            | 6 / 12        |
|                 | 5.10                                                    | Service brake                                           |       |                 | Electromagnetic   |               |
| Electric motors | 6.1                                                     | Traction motor, 60 min performance with S2              |       | kW              | 2.6               | 2.6           |
|                 | 6.2                                                     | Lift motor, 15% performance with S3                     |       | kW              | 2                 | 2             |
|                 | 6.3                                                     | Battery as per DIN 43531 / 35 / 36 A, B, C, no          |       |                 |                   |               |
|                 | 6.4                                                     | K5 battery voltage, nominal capacity                    |       | V/Ah            | 24 / 465          | 24 / 465      |
|                 | 6.5                                                     | Battery weight                                          |       | kg              | 360               | 360           |
|                 | 6.6                                                     | Power consumption as per VDI cycle                      |       | kW/h            |                   |               |
| Miscellaneous   | 8.1                                                     | Electrical system type                                  |       |                 | ac                |               |
|                 | 8.4                                                     | Noise threshold as per EN 12 053                        |       | dB(A)           | < 70              |               |
|                 |                                                         |                                                         |       |                 |                   | * optional    |

Technical data sheet referring to pallet truck in standard version; data determined in compliance with VDI 2198. These values may differ if your product is fitted with other types of wheels and tires, supports and accessories. All data and images herein are indicative, OMG S.r.l. reserves the right to modify the documentation without prior notice.